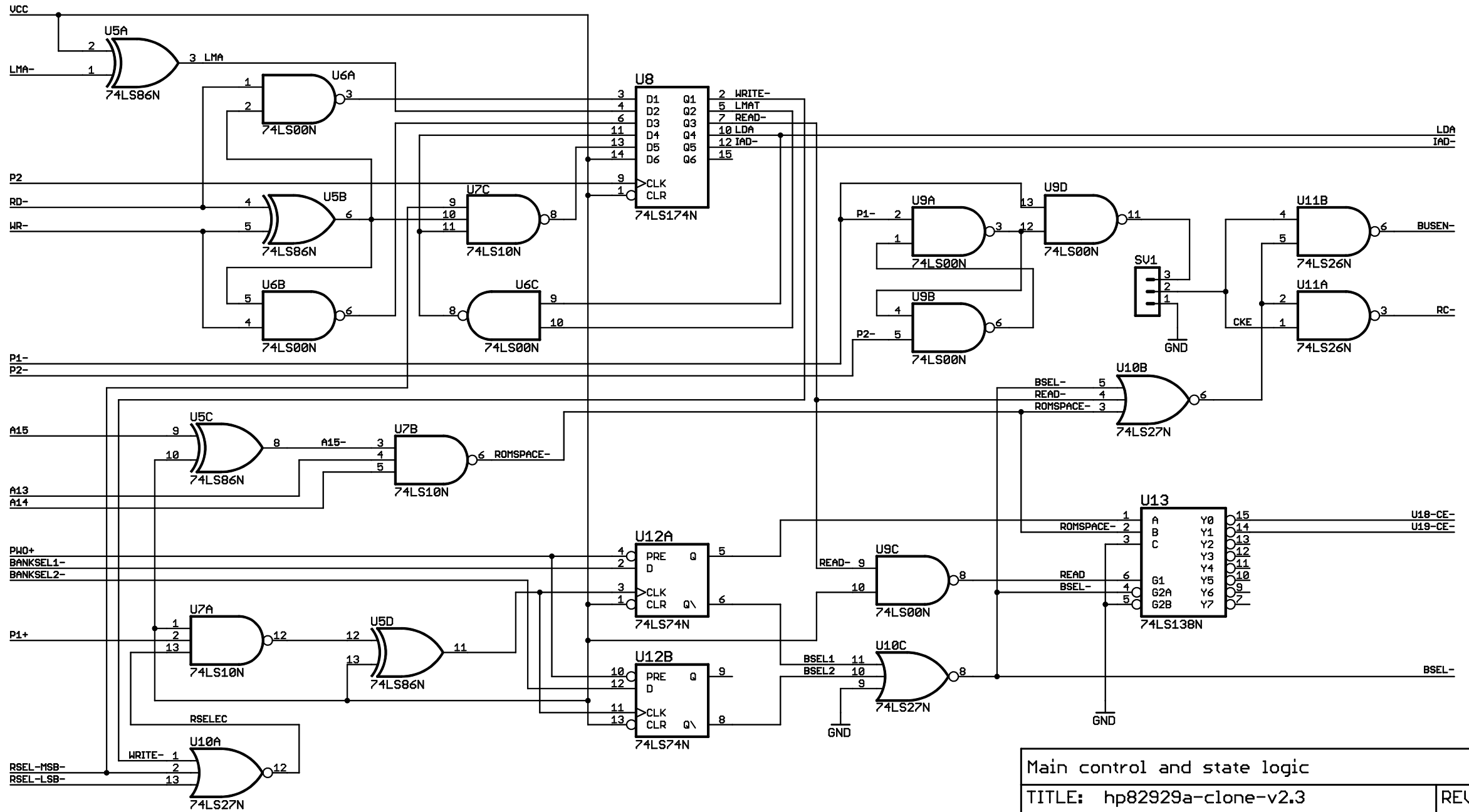
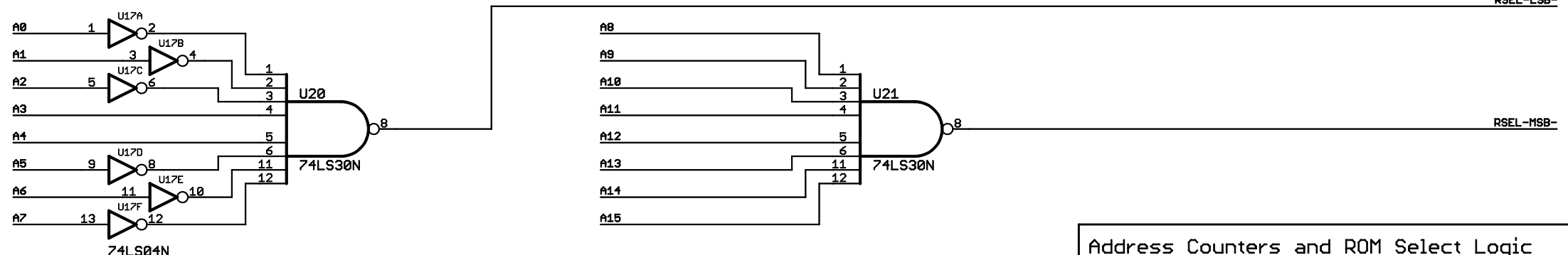
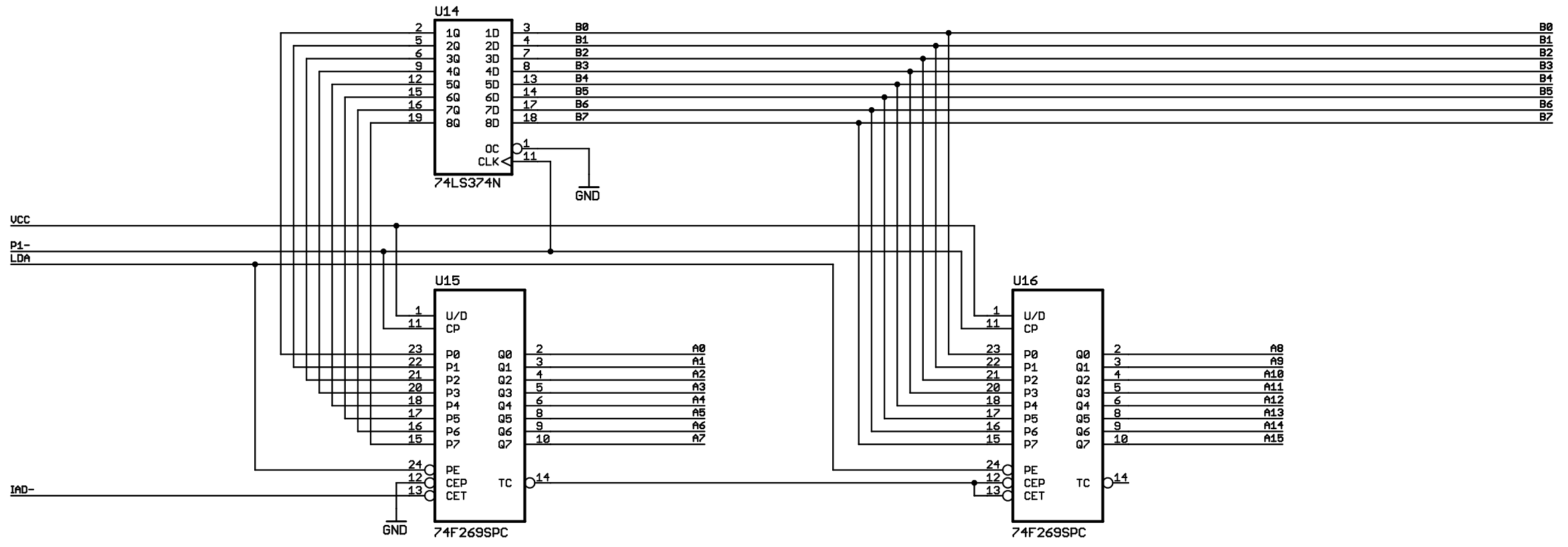


HP-85 Bus Interface & Drivers, PROMs/EPROMs	
TITLE: hp82929a-clone-v2.3	REV: 2.3
HP 82929A Clone V1	
Schematic by Jorge Amodio, Feb 2008	Sheet: 1/5

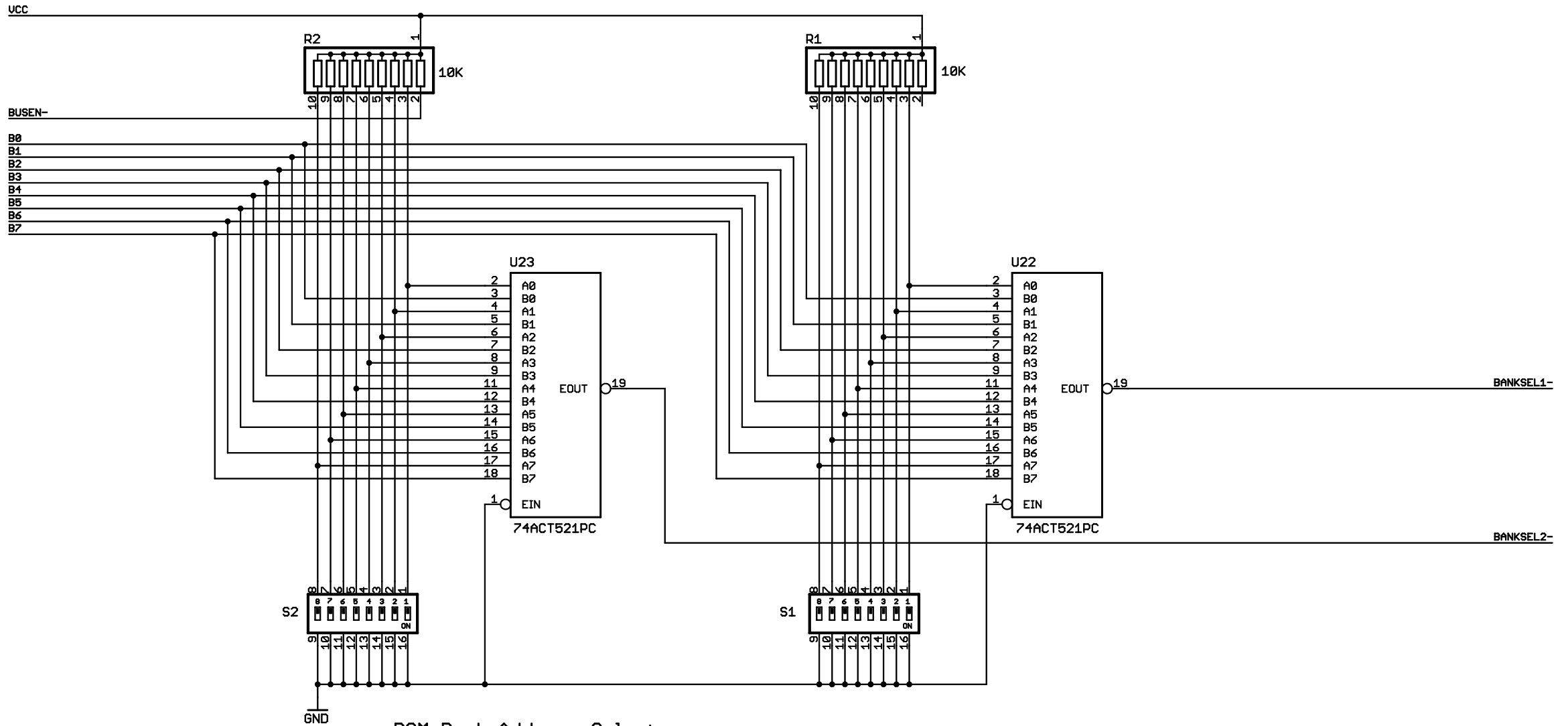


Main control and state logic	
TITLE: hp82929a-clone-v2.3 HP 82929A Clone V1	REV: 2.3
Schematic by Jorge Amodio, Feb 2008	Sheet: 2/5



ROM SELECT ADDRESS DECODE (0xFF18 - 177430)

Address Counters and ROM Select Logic	
TITLE: hp82929a-clone-v2.3	REV: 2.3
HP 82929A Clone V1 Proto	
Schematic by Jorge Amodio, Feb 2008	Sheet: 3/5

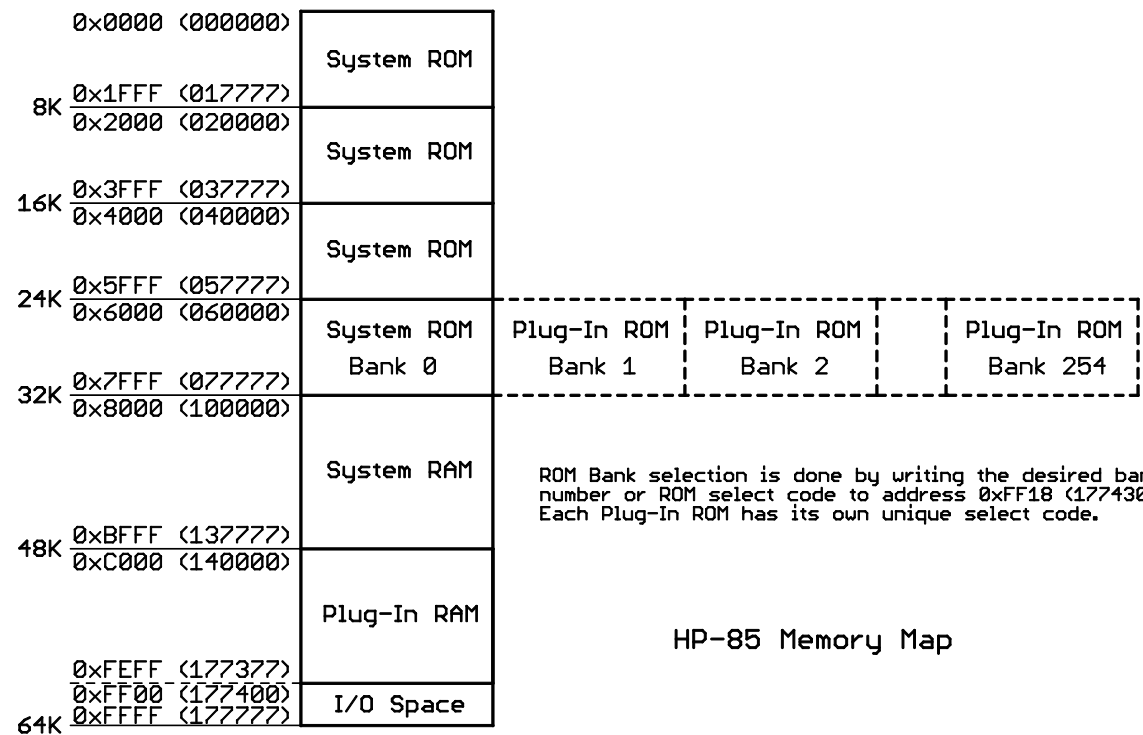


ROM Bank Address Select

- S1 selects ROM Bank for U18 and S2 for U19
- Valid Bank Addresses are 1 to 255
- Switch position 8 is MSb, 1 LSb
- Bank Address 0 will cause faulty operation since it is the System ROM Bank Address
- All ones will turn the switch logic off

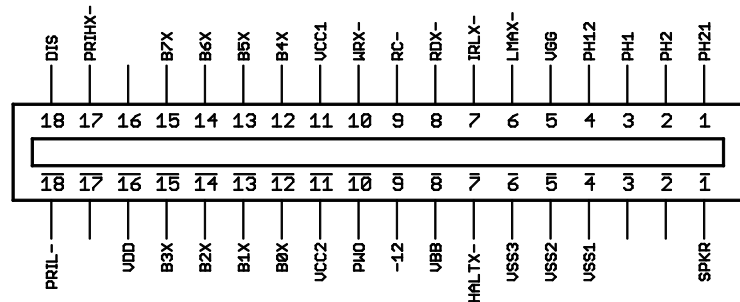
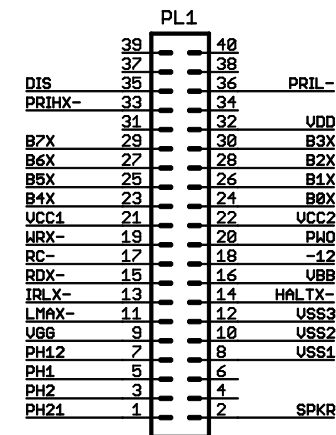
ROM Bank Selection

TITLE: hp82929a-clone-v2.3		REV: 2.3
HP 82929A Clone V1 Proto		
Schematic by Jorge Amodio, Feb 2008	Sheet: 4/5	



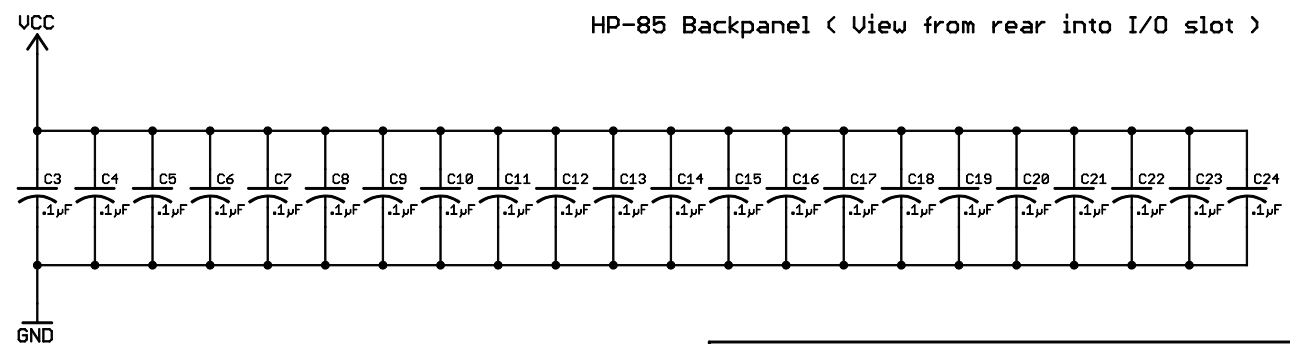
ROM Bank selection is done by writing the desired bank number or ROM select code to address 0xFF18 (177430). Each Plug-In ROM has its own unique select code.

HP-85 Memory Map



HP-85 Backpanel (View from rear into I/O slot)

HP-85 Plug-In ROM	Part Number	ROM Dec	Select Hex	Code Dec
Mass Storage	00085-15001	208	0xD0	320
Plotter/Printer	00085-15002	240	0xF0	360
Input/Output	00085-15003	192	0xC0	300
Matrix	00085-15004	176	0xB0	260
Advanced Programming	00085-15005	232	0xE8	350
Assembler	00085-15007	40	0x28	050
Extended Mass Storage	00085-15013	207	0xCF	317
Advanced Programming	00085-15005	232	0xE8	350
HP-85 Service	00085-60952	224	0xE0	340
Program Development	98151A	8	0x08	010



Memory Map, ROM Codes, I/O Slot	
TITLE: hp82929a-clone-v2.3 HP 82929A Clone V1 Proto	REV: 2.3
Schematic by Jorge Amodio, Feb 2008	Sheet: 5/5