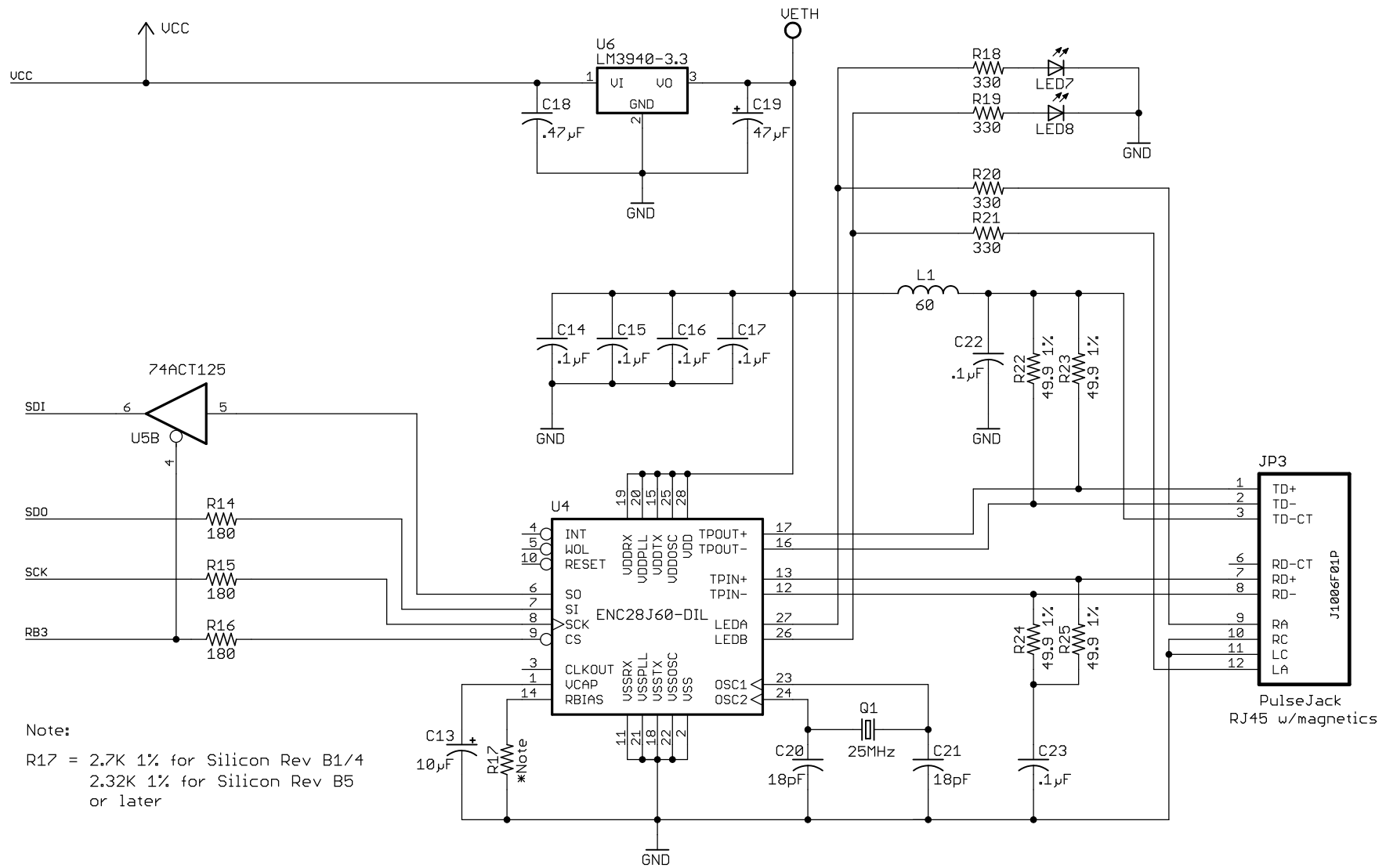


PIC18F4685-ENC28J60 10BaseT Interface

TITLE: pic10t-3.0	REV: 3.0
© 2010, Jorge Amodio	
Sheet: 1/2	



**Note:**

R17 = 2.7K 1% for Silicon Rev B1/4  
 2.32K 1% for Silicon Rev B5  
 or later

Microchip ENC28J60 10BaseT Interface	
TITLE: pic10t-3.0	REV: 3.0
© 2010, Jorge Amodio	Sheet: 2/2