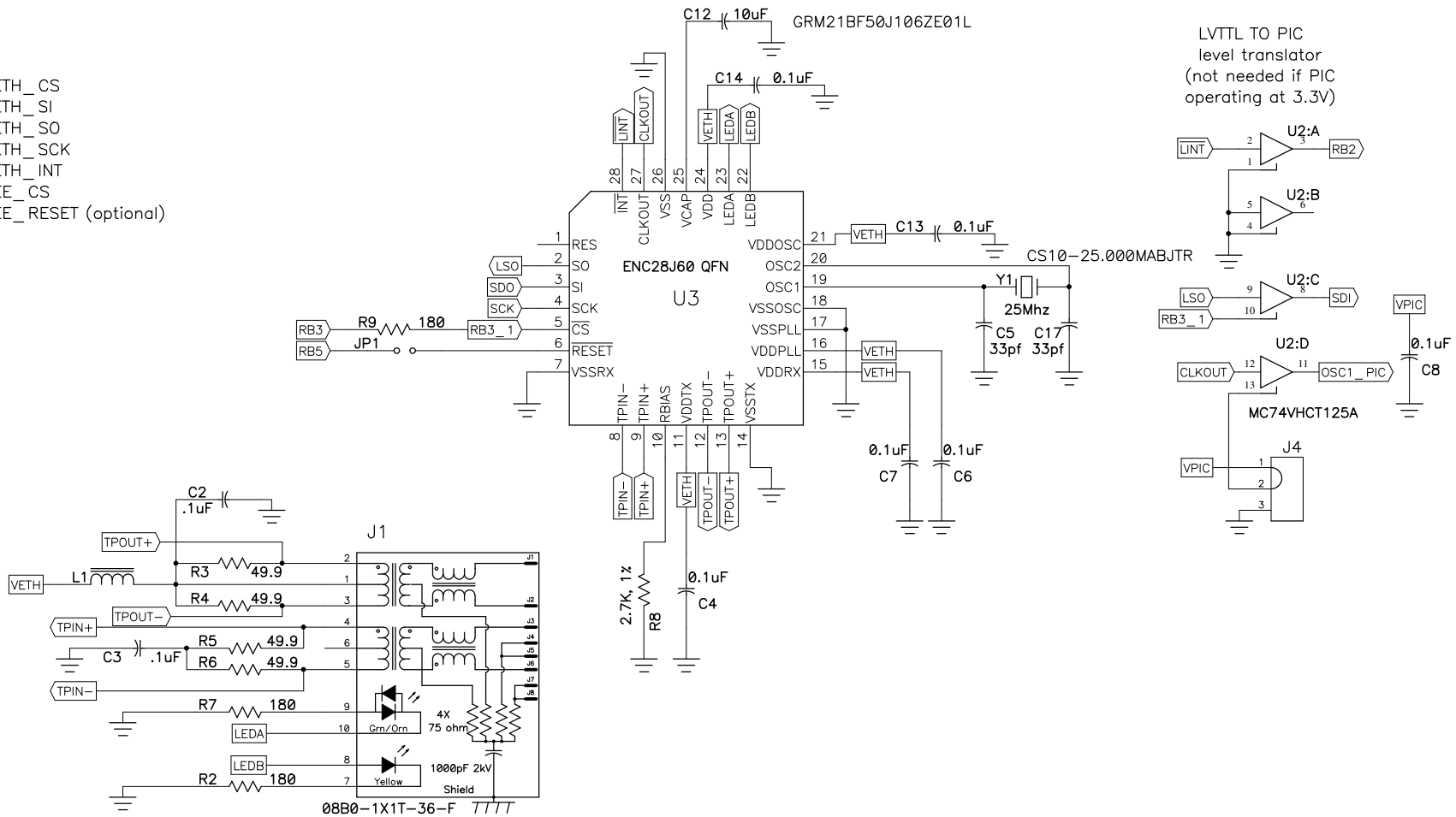
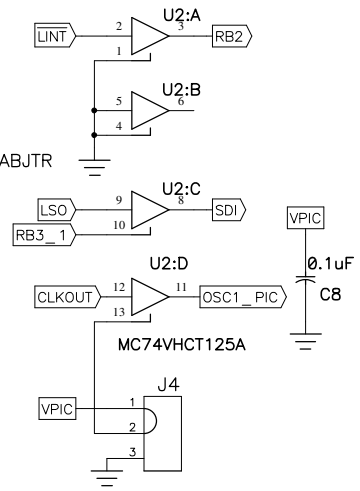


RB3 - ETH_CS
 RC5 - ETH_SI
 RC4 - ETH_SO
 RC3 - ETH_SCK
 RB2 - ETH_INT
 RB4 - EE_CS
 RB5 - EE_RESET (optional)



LVTTL TO PIC
 level translator
 (not needed if PIC
 operating at 3.3V)



Title Ethernet PICtail™ Daughter Board		
Size B	M	03-01841 Rev 5
Date: Wed Jul 12, 2006	Eng: R. Rojvanit	Drawn by: S. Humbert
Filename: 03-01841_Rev5.sch	Sheet 1 of 2	

